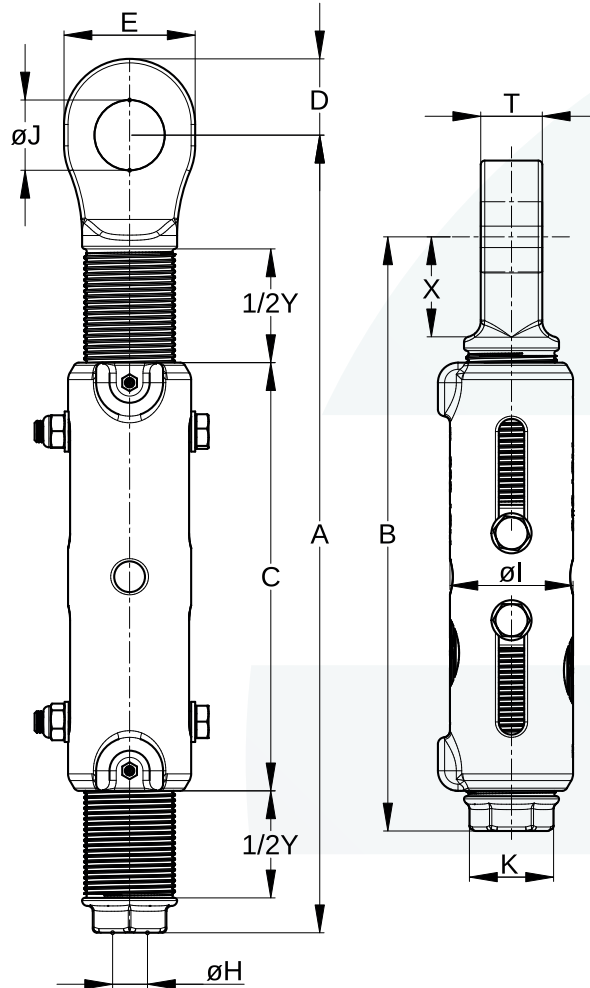




Adjustable Closed Turnbuckle Sockets (eye)



Available for wire rope sizes from $\varnothing 18$ mm to $\varnothing 48$ mm ($3/4''$ to $1 7/8''$) with an efficiency rating of 100%.



AQUALLINE ADJUSTABLE CLOSED TURNBUCKLE SOCKET (EYE). MM DIMENSIONS

Model Number	MBL (Mtons)	For Wire Rope Ø mm	Approx. Resin Volume (cc)														Weight (kg)
				A	B	C	D	E	ØH	ØI	ØJ	K	T	X	1/2Y	Y	
ACTS 800	40	18 - 19	80	445	335	250	40	68	22.5	71	36.5	41	34	55	55	110	4.2
ACTS 804	55	20 - 22	125	510	380	285	48	80	26.8	86	42.5	50	40	60	65	130	10.2
ACTS 808	80	23 - 26	160	585	435	320	58	98	29.5	96	53	55	45	75	75	150	13.8
ACTS 811	100	27 - 30	210	660	490	360	64	108	34	108	59	65	52	85	85	170	22.5
ACTS 815	130	31 - 36	350	775	585	430	72	124	40	116	65	75	63	100	90	180	30
ACTS 818	160	37 - 39	425	830	630	470	83	140	44.5	136	72	80	76	105	100	200	47
ACTS 820	200	40 - 42	500	900	680	500	85	148	48	142	78	90	76	115	110	220	60
ACTS 825	250	43 - 48	700	1060	810	600	98	170	53	167	91	100	82	135	125	250	88

AQUALLINE ADJUSTABLE CLOSED TURNBUCKLE SOCKET (EYE). INCH DIMENSIONS

Model Number	MBL (Mtons)	For Wire Rope Ø inch	Approx. Resin Volume (cc)														Weight (lbs)
				A	B	C	D	E	ØH	ØI	ØJ	K	T	X	1/2Y	Y	
ACTS 800	40	3/4	80	17.5	13.2	9.9	1.57	2.68	0.90	2.80	1.43	1.61	1.24	2.17	2.16	4.33	9
ACTS 804	55	7/8	125	20	15	11.2	1.89	3.15	1.05	3.40	1.67	1.97	1.57	2.36	2.56	5.12	22
ACTS 808	80	1	160	23	17.1	12.6	2.28	3.86	1.16	3.80	2.09	2.17	1.77	2.95	2.95	5.90	30.4
ACTS 811	100	1 1/8	210	26	19.3	14.2	2.52	4.25	1.34	4.25	2.32	2.56	2.05	3.35	3.10	6.70	50
ACTS 815	130	1 1/4 - 1 3/8	350	30.5	23	16.9	2.83	4.88	1.60	4.56	2.48	2.95	2.48	3.93	3.50	7.10	65
ACTS 818	160	1 1/2	425	32.7	24.8	18.5	3.27	5.5	1.75	5.35	2.83	3.15	3.00	4.13	4.00	7.90	104
ACTS 820	200	1 5/8	500	35.4	26.8	19.7	3.35	5.8	1.90	5.82	3.1	3.54	3.00	4.53	4.30	8.70	130
ACTS 825	250	1 3/4 - 1 7/8	700	41.7	31.9	23.6	3.86	6.7	2.10	6.57	3.6	3.94	3.23	5.31	4.75	9.80	195

MBL = Minimum Breaking Load

All sockets are supplied with a zinc plated finish. ACTS 811 - ACTS 825 are also available in aqua-blue primer (RAL 5018).

For more information read our 'Warnings and instructions for use'.