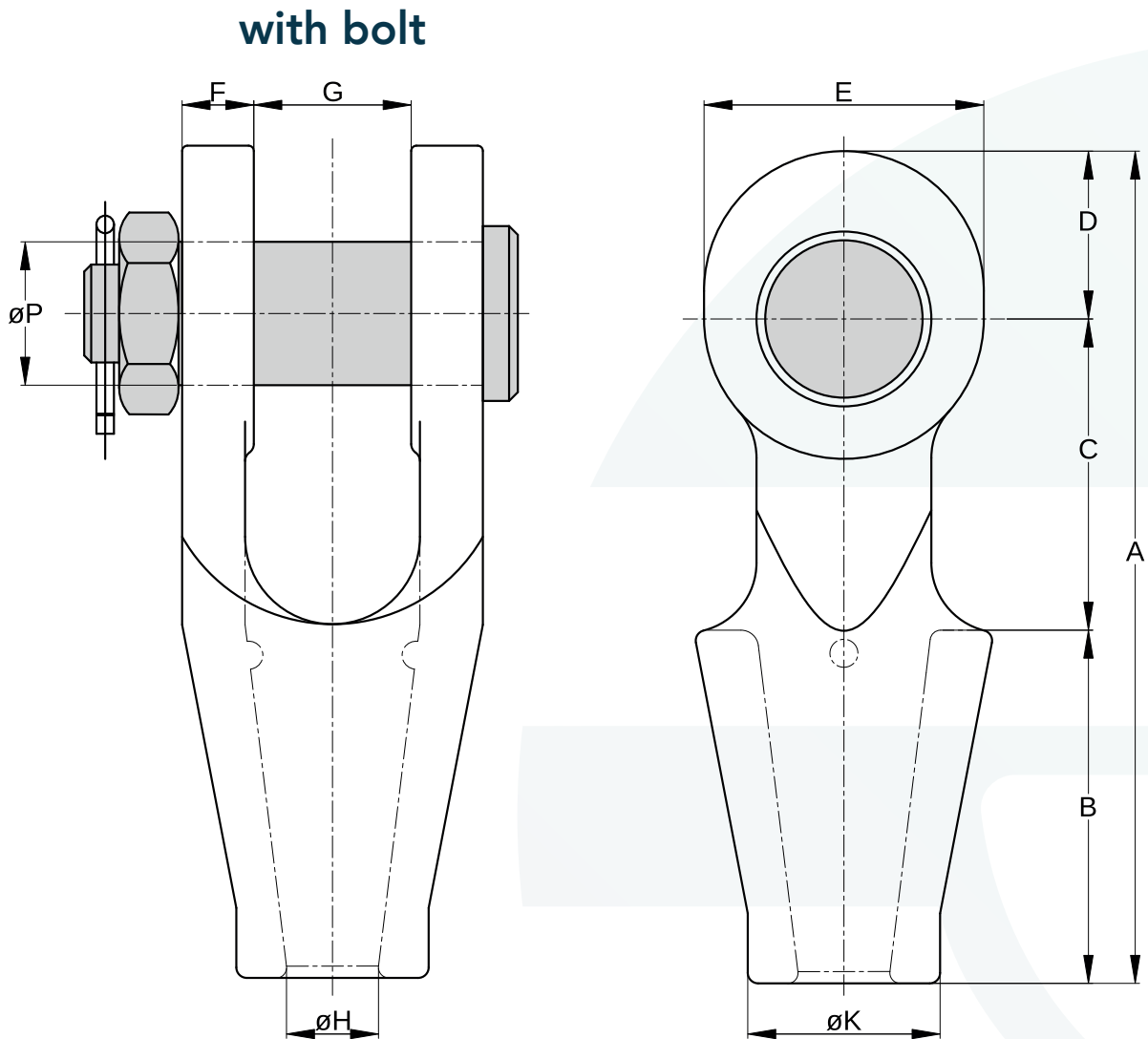




Open JIS Sockets



Available for wire rope sizes from \varnothing 15 mm to \varnothing 43 mm ($5/8''$ to $1\ 5/8''$) with an efficiency rating of 100%. Standard with bolt, nut and cotter pin. Meets the performance requirements of the JIS F 3432-1995 norm and exceeds the required MBL.



AQUALLINE OPEN JIS SOCKET. MM DIMENSIONS

Model Number	MBL (Mtons)	For Wire Rope Ø mm	Approx. Resin Volume (cc)	Dimensions (mm)										Weight (kg)
				A	B	C	D	E	F	G	ØH	ØK	ØP	
OJS 16	24	15 - 16	50	183	76	75	32	56	13	32	20	39	25	1.7
OJS 18	30	17 - 18	80	207	89	80	38	64	15	38	23	45	28	2.6
OJS 20	36	19 - 20	125	220	95	85	40	70	16.5	42	25	48	31	3.6
OJS 22	40	21 - 22	160	235	101	89	45	80	20.5	45	30	58	34	5.1
OJS 24	48	23 - 24	175	264	114	101	49	86	22.5	51	32	62	37	6.7
OJS 25	60	25 - 26	200	276	120	105	51	90	22.5	51	34	65	40	7.5
OJS 28	72	27 - 28	230	299	127	114	58	100	25	57	36	70	43	10
OJS 30	80	29 - 30	300	313	135	118	60	104	25	57	38	75	46	11
OJS 32	90	31 - 32	350	331	139	127	65	110	28	63	41	83	49	14.2
OJS 34	100	33 - 34	400	347	150	130	67	114	28	63	43	83	52	16
OJS 36	110	35 - 36	450	370	160	138	72	124	30	70	45	90	55	19
OJS 38	120	37 - 38	500	389	170	145	74	128	30	72	47	90	58	22
OJS 40	135	39 - 40	600	406	175	155	76	130	33.5	76	50	97	61	27
OJS 42	150	41 - 43	700	430	191	160	79	136	39	80	53	100	65	36

AQUALLINE OPEN JIS SOCKET. INCH DIMENSIONS

Model Number	MBL (Mtons)	For Wire Rope Ø inch	Approx. Resin Volume (cc)	Dimensions (inch)										Weight (lbs)
				A	B	C	D	E	F	G	ØH	ØK	ØP	
OJS 16	24	5/8	50	7.20	3.00	3.00	1.26	2.20	0.50	1.26	0.80	1.50	1.00	3.8
OJS 18	30	11/16	80	8.15	3.50	3.15	1.50	2.50	0.60	1.50	0.90	1.80	1.10	5.7
OJS 20	36	3/4	125	8.70	3.75	3.35	1.60	2.75	0.65	1.65	1.00	1.90	1.20	8
OJS 22	40	7/8	160	9.25	4.00	3.50	1.80	3.15	0.80	1.77	1.20	2.30	1.34	11.2
OJS 24	48	15/16	175	10.40	4.50	4.00	1.90	3.40	0.90	2.00	1.26	2.40	1.46	14.8
OJS 25	60	1	200	10.90	4.75	4.14	2.00	3.50	0.90	2.00	1.34	2.60	1.57	16.5
OJS 28	72	1 1/8	230	11.80	5.00	4.50	2.30	4.00	1.00	2.25	1.42	2.80	1.70	22
OJS 30	80	1 3/16	300	12.30	5.30	4.65	2.40	4.10	1.00	2.25	1.50	3.00	1.80	24
OJS 32	90	1 1/4	350	13.00	5.50	5.00	2.50	4.30	1.10	2.50	1.61	3.30	1.93	31
OJS 34	100	1 5/16	400	13.70	5.90	5.10	2.60	4.50	1.10	2.50	1.70	3.30	2.00	35
OJS 36	110	1 3/8	450	14.60	6.30	5.40	2.80	4.90	1.20	2.75	1.77	3.50	2.17	42
OJS 38	120	1 1/2	500	15.30	6.70	5.70	2.90	5.00	1.20	2.80	1.85	3.50	2.30	48
OJS 40	135	1 9/16	600	16.00	6.90	6.10	3.00	5.10	1.32	3.00	1.97	3.80	2.40	60
OJS 42	150	1 5/8	700	16.90	7.50	6.30	3.10	5.40	1.53	3.15	2.10	4.00	2.60	80

MBL = Minimum Breaking Load

All sockets are supplied with a hot dipped galvanized finish.

For more information read our 'Warnings and instructions for use'.