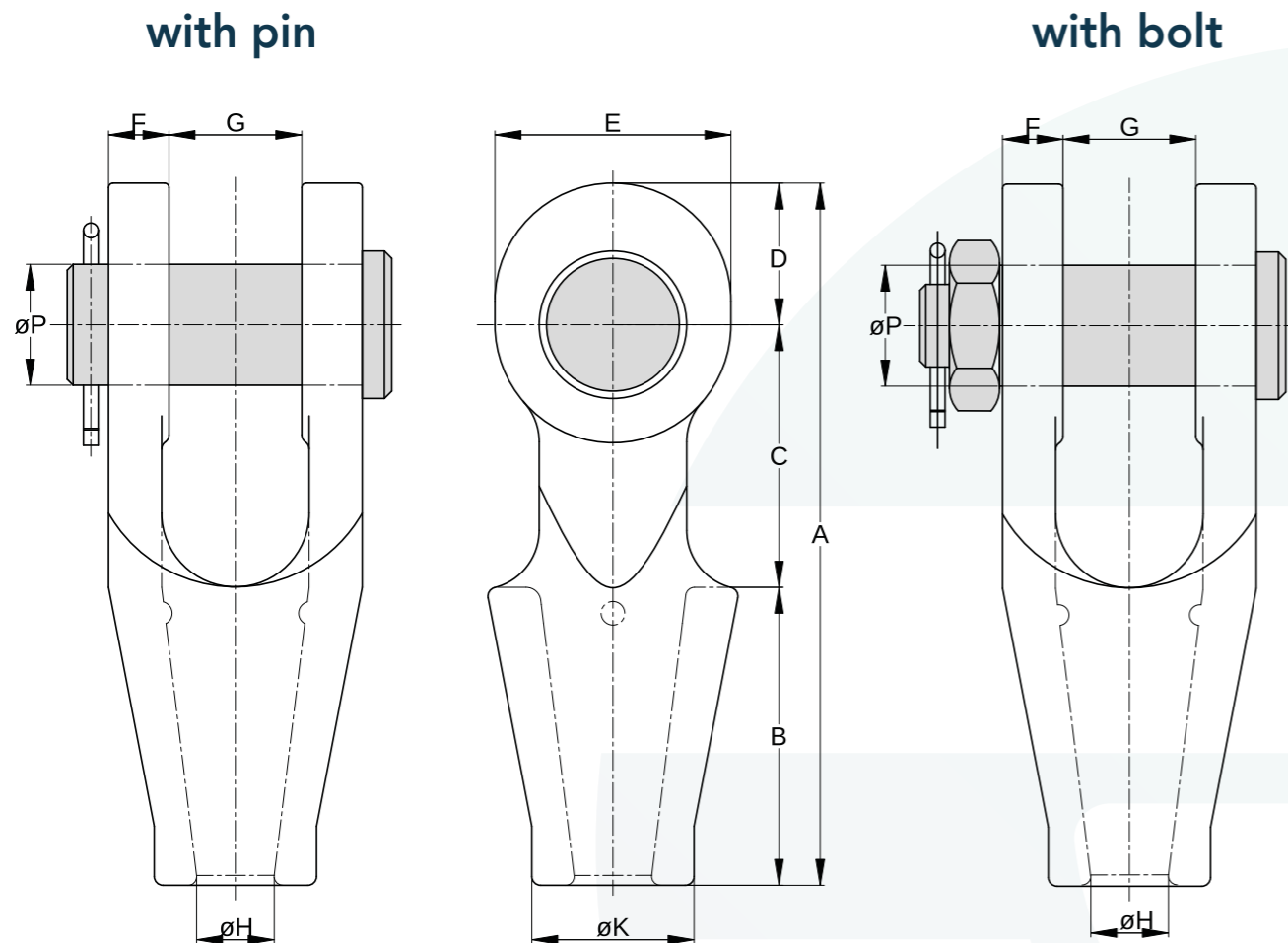




Open Spelter Sockets



Available for wire rope sizes from \varnothing 6 mm to \varnothing 128 mm ($\frac{1}{4}$ " to 5") with an efficiency rating of 100%. Standard version with pin and cotter pin. Also available with bolt, nut and cotter pin. Meets the performance requirements of the EN 13411-4 norm.

AQUALLINE OPEN SPELTER SOCKET. MM DIMENSIONS

Model Number	MBL (Mtons)	For Wire Rope \varnothing mm	Structural Strand \varnothing mm	Approx. Resin Volume (cc)	Dimensions (mm)										Weight (kg)
					A	B	C	D	E	F	G	\varnothing H	\varnothing K	\varnothing P	
OSS 196	8	6 - 7	-	10	105	46	40	19	34	9	18	10	20	17.5	0.4
OSS 197	12	8 - 10	-	23	122	54	45	23	40	11.2	20.6	13.5	26	20.6	0.75
OSS 198	20	11 - 13	-	37	142	64	51	27	48	12.7	25.6	15	30	25.4	1
OSS 199	25	14 - 16	12 - 13	52	171	76	63	32	56	14.5	32	18.5	38.5	30	1.75
OSS 100	40	18 - 19	14 - 16	91	205	89	76	40	68	16.5	38	22.5	46	35	3
OSS 104	55	20 - 22	18 - 19	145	238	101	89	48	80	20.5	45	26.8	55	41	5
OSS 108	80	23 - 26	20 - 22	172	273	114	101	58	98	22.5	51	29.5	62	51	8
OSS 111	100	27 - 30	24 - 26	224	306	127	114	65	110	25	57	34	70	57	10.5
OSS 115	130	31 - 36	27 - 28	370	338	139	127	72	124	28	63	40	83	63	15
OSS 118	160	37 - 39	30 - 32	462	394	152	162	80	140	30	76	44.5	90	70	21
OSS 120	200	40 - 42	33 - 35	549	415	165	165	85	148	33.5	76	48	97	76	27
OSS 125	250	43 - 48	36 - 40	783	467	191	178	98	170	39	89	53	112	89	40
OSS 128	300	49 - 54	42 - 45	1364	552	216	228	108	186	46	101	58.5	125	95	59
OSS 130	375	55 - 60	46 - 48	1538	603	229	254	120	210	53	113	68.5	135	108	79
OSS 132	450	61 - 68	50 - 54	2040	654	248	273	133	230	60	127	77.5	150	121	110
OSS 135	500	69 - 75	56 - 62	2338	696	279	279	138	240	73	133	83	160	127	135
OSS 138	600	76 - 80	64 - 67	3428	736	305	286	145	250	76	146	89	170	133	150
OSS 140	650	81 - 86	70 - 73	4392	790	330	300	160	275	79	159	95	180	140	195
OSS 142	750	87 - 93	76 - 80	5554	849	356	318	175	300	82	172	99	200	152	245
OSS 144	900	94 - 102	88 - 96	8219	922	381	343	198	336	89	191	110	215	178	335
OSS 145	1000	103 - 108	98 - 102	9000	995	406	381	208	356	95	203	118	240	185	435
OSS 146	1200	108 - 115	104 - 111	10500	1110	440	450	220	370	100	205	128	250	195	525
OSS 150	1400	120 - 128	112 - 121	14000	1185	490	440	255	430	113	225	143	270	220	680

AQUALLINE OPEN SPELTER SOCKET. INCH DIMENSIONS

Model Number	MBL (Mtons)	For Wire Rope \varnothing inch	Structural Strand \varnothing inch	Approx. Resin Volume (cc)	Dimensions (inch)										Weight (lbs)
					A	B	C	D	E	F	G	\varnothing H	\varnothing K	\varnothing P	
OSS 196	8	$\frac{1}{4}$	-	10	4.13	1.81	1.60	0.75	1.34	0.35	0.71	0.39	0.78	0.69	0.9
OSS 197	12	$\frac{5}{16}$ - $\frac{3}{8}$	-	23	4.80	2.16	1.80	0.90	1.57	0.44	0.81	0.53	1.02	0.81	1.7
OSS 198	20	$\frac{7}{16}$ - $\frac{1}{2}$	-	37	5.60	2.52	2.00	1.10	1.89	0.50	1.00	0.60	1.18	1.00	2.2
OSS 199	25	$\frac{9}{16}$ - $\frac{5}{8}$	$\frac{1}{2}$	52	6.70	3.00	2.50	1.30	2.20	0.57	1.26	0.73	1.52	1.19	4
OSS 100	40	$\frac{3}{4}$	$\frac{9}{16}$ - $\frac{5}{8}$	91	8.10	3.50	3.00	1.60	2.76	0.65	1.50	0.89	1.81	1.38	6.5
OSS 104	55	$\frac{7}{8}$	$\frac{11}{16}$ - $\frac{3}{4}$	145	9.40	4.00	3.50	1.90	3.15	0.81	1.75	1.05	2.17	1.63	11
OSS 108	80	1	$\frac{13}{16}$ - $\frac{7}{8}$	172	10.70	4.50	4.00	2.30	4.00	0.89	2.00	1.16	2.44	2.00	17
OSS 111	100	$1\frac{1}{8}$	$\frac{15}{16}$ - 1	224	12.00	5.00	4.50	2.60	4.33	1.00	2.25	1.39	2.76	2.25	23
OSS 115	130	$1\frac{1}{4}$ - $1\frac{3}{8}$	$1\frac{1}{16}$ - $1\frac{1}{8}$	370	13.30	5.50	5.00	2.80	4.80	1.10	2.50	1.57	3.27	2.50	33
OSS 118	160	$1\frac{1}{2}$	$1\frac{3}{16}$ - $1\frac{1}{4}$	462	15.50	6.00	6.40	3.15	5.52	1.18	3.00	1.75	3.50	2.75	46
OSS 120	200	$1\frac{5}{8}$	$1\frac{5}{16}$ - $1\frac{3}{8}$	549	16.30	6.50	6.50	3.35	5.90	1.30	3.00	1.90	3.80	3.00	60
OSS 125	250	$1\frac{3}{4}$ - $1\frac{7}{8}$	$1\frac{7}{16}$ - $1\frac{5}{8}$	783	18.40	7.50	7.00	3.86	6.70	1.53	3.50	2.10	4.40	3.50	88
OSS 128	300	2 - $2\frac{1}{8}$	$1\frac{11}{16}$ - $1\frac{3}{4}$	1364	21.70	8.50	9.00	4.25	7.30	1.81	4.00	2.30	4.90	3.75	130
OSS 130	375	$2\frac{1}{4}$ - $2\frac{3}{8}$	$1\frac{13}{16}$ - $1\frac{7}{8}$	1538	23.70	9.00	10.00	4.72	8.27	2.10	4.50	2.70	5.30	4.25	175
OSS 132	450	$2\frac{1}{2}$ - $2\frac{5}{8}$	$1\frac{15}{16}$ - $2\frac{1}{8}$	2040	25.70	9.70	10.70	5.23	9.10	2.36	5.00	3.05	5.90	4.75	240
OSS 135	500	$2\frac{3}{4}$ - $2\frac{7}{8}$	$2\frac{3}{16}$ - $2\frac{7}{16}$	2338	27.40	11.00	11.00	5.43	9.45	2.90	5.25	3.25	6.30	5.00	298
OSS 138	600	3 - $3\frac{1}{8}$	$2\frac{1}{2}$ - $2\frac{5}{8}$	3428	29.00	12.00	11.30	5.70	9.84	3.00	5.75	3.50	6.70	5.25	330
OSS 140	650	$3\frac{1}{4}$ - $3\frac{3}{8}$	$2\frac{3}{4}$ - $2\frac{7}{8}$	4392	31.10	13.00	11.80	6.30	10.83	3.12	6.25	3.75	7.10	5.50	430
OSS 142	750	$3\frac{1}{2}$ - $3\frac{5}{8}$	3 - $3\frac{1}{8}$	5554	33.40	14.00	12.50	6.90	11.80	3.25	6.75	3.90	7.90	6.00	540
OSS 144	900	$3\frac{3}{4}$ - 4	$3\frac{1}{2}$ - $3\frac{3}{4}$	8219	36.30	15.00	13.50	7.80	13.20	3.50	7.50	4.33	8.50	7.00	740
OSS 145	1000	$4\frac{1}{8}$ - $4\frac{1}{4}$	$3\frac{7}{8}$ - 4	9000	39.20	16.00	15.00	8.20	14.00	3.75	8.00	4.65	9.50	7.28	960
OSS 146	1200	$4\frac{1}{4}$ - $4\frac{1}{2}$	$4\frac{1}{8}$ - $4\frac{3}{8}$	10500	43.70	17.30	17.70	8.70	14.60	4.00	8.10	5.00	9.80	7.70	1150
OSS 150	1400	$4\frac{3}{4}$ - 5	$4\frac{7}{16}$ - $4\frac{3}{4}$	14000	46.70	19.30	17.30	10.00	17.00	4.40	8.90	5.60	10.60	8.70	1500

MBL = Minimum Breaking Load

All sockets are supplied with hot dipped galvanized finish. OSS 111 - OSS 150 are also available in aqua-blue primer (RAL 5018).

For more information read our 'Warnings and instructions for use'.