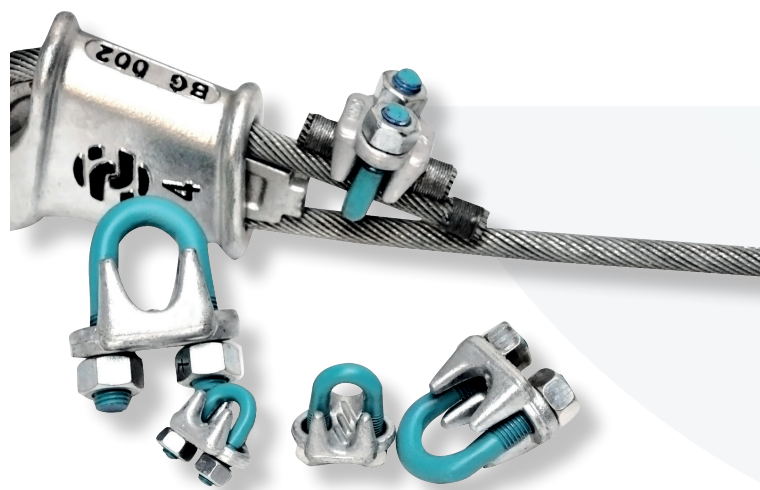
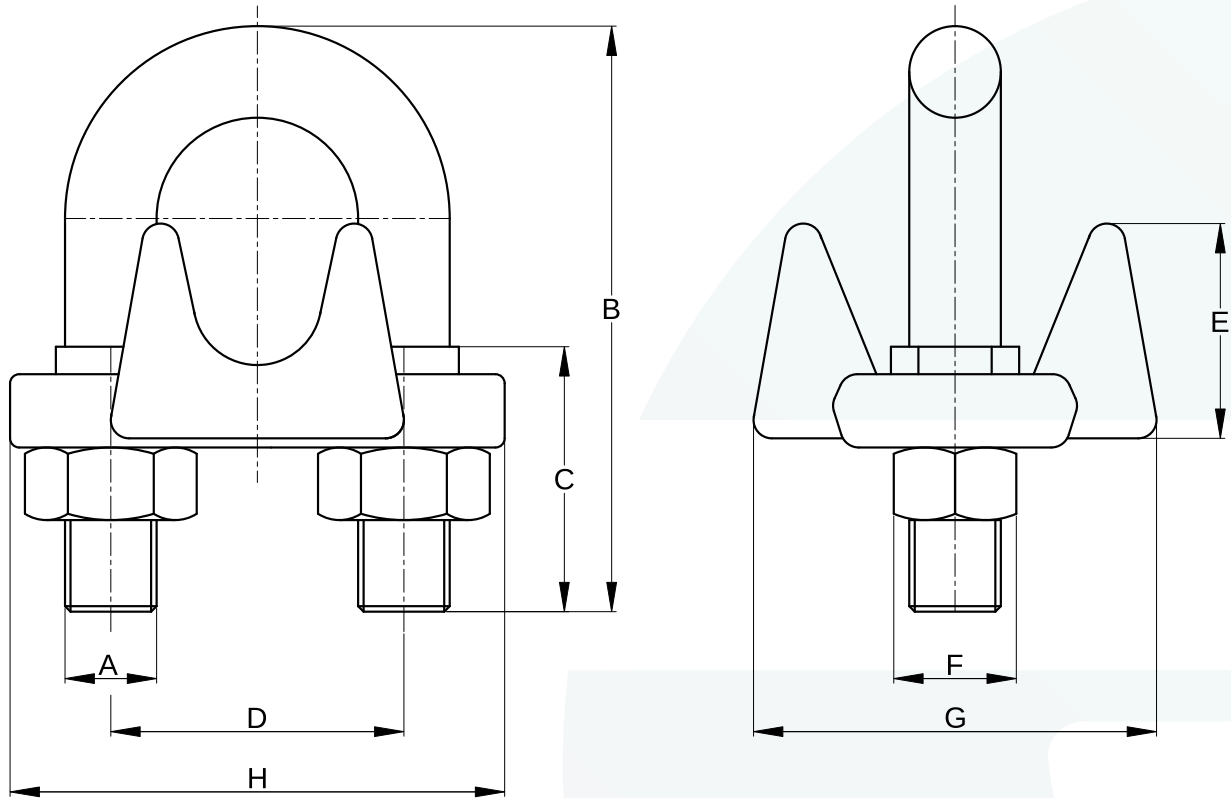




Wire Rope Clips



Available for wire rope sizes from \varnothing 3 mm to \varnothing 90 mm (1/8" to 3 1/2"). Meets the performance requirements of the EN 13411-5 Type B norm.



AQUALLINE WIRE ROPE CLIP. MM DIMENSIONS

Model Number	For Wire Rope Ø mm	Torque (Nm)	Dimensions (mm)								Weight (kg)
			A	B	C	D	E	F	G	H	
WRC 004	3 - 4	6.1	5.5	18.3	11.2	12.0	10.4	9.7	20.6	23.9	0.03
WRC 005	5	10	6.4	24.6	14.2	15.0	12.7	11.2	23.9	29.5	0.05
WRC 006	6 - 7	20.5	7.9	26.2	14.2	19.1	16.8	14.22	30.3	36.6	0.09
WRC 008	8	41	9.7	35.0	19.0	22.4	18.3	17.53	33.3	43.0	0.13
WRC 010	9 - 10	61	11.2	38.1	19.0	25.4	23.1	19.1	41.4	49.3	0.21
WRC 011	11	88	12.7	47.8	25.4	30.2	26.2	22.4	46.0	58.0	0.32
WRC 013	12 - 13	88	12.7	47.8	25.4	30.2	28.7	22.4	48.5	58.0	0.34
WRC 014	14 - 15	130	14.2	57.2	32.0	33.3	31.0	23.9	52.3	63.5	0.45
WRC 016	16	130	14.2	60.5	32.0	33.3	34.0	23.9	52.3	63.5	0.47
WRC 019	18 - 20	177	15.8	69.9	36.6	38.1	35.8	26.9	57.2	72.1	0.64
WRC 022	22	306	19.0	79.3	41.1	44.5	40.4	31.8	62.0	80.3	0.98
WRC 026	24 - 26	306	19.0	89.0	46.0	47.8	45.2	31.8	66.8	88.1	1.18
WRC 029	28 - 30	306	19.0	98.5	50.8	51.0	48.5	31.8	71.4	91.2	1.28
WRC 032	32 - 34	490	22.3	108.0	54.1	58.5	55.6	36.6	79.5	105.0	1.90
WRC 035	36	490	22.3	117.6	58.7	60.5	58.7	36.6	79.5	106.0	2
WRC 038	38 - 40	490	22.3	125.5	60.5	66.0	62.0	36.6	86.6	113.0	2.35
WRC 042	41 - 42	585	25.4	135.0	66.6	70.0	67.6	41.4	92.2	121.0	3.10
WRC 044	44 - 46	800	28.7	146.0	70.0	78.0	75.0	46.0	96.8	134.0	4.20
WRC 052	48 - 52	1000	31.8	164.0	76.0	86.0	81.0	50.8	113.0	149.0	5.80
WRC 057	56 - 58	1000	31.8	181.0	81.0	99.5	83.0	50.8	114.0	162.0	7.30
WRC 064	62 - 65	1000	31.8	195.0	87.0	105.0	94.0	50.8	118.0	168.0	8.25
WRC 070	68 - 72	1000	31.8	211.0	90.0	111.0	124.0	50.8	127.0	175.0	10.50
WRC 076	75 - 78	1630	38.1	233.0	99.0	120.0	126.0	60.5	149.0	194.0	14.20
WRC 089	85 - 90	1630	38.1	273.0	114.0	140.0	152.0	60.5	157.0	213.0	17.10

AQUALLINE WIRE ROPE CLIP. INCH DIMENSIONS

Model Number	For Wire Rope Ø inch	Torque (ft-lbs)	Dimensions (inch)								Weight (lbs)
			A	B	C	D	E	F	G	H	
WRC 004	1/8	4.5	0.22	0.72	0.44	0.47	0.41	0.38	0.81	0.94	0.06
WRC 005	3/16	7.5	0.25	0.97	0.56	0.59	0.51	0.44	0.94	1.16	0.11
WRC 006	1/4	15	0.31	1.03	0.50	0.75	0.66	0.56	1.19	1.44	0.20
WRC 008	5/16	30	0.38	1.38	0.75	0.88	0.72	0.69	1.31	1.69	0.28
WRC 010	3/8	45	0.44	1.50	0.75	1.00	0.91	0.75	1.63	1.94	0.46
WRC 011	7/16	65	0.50	1.88	1.00	1.19	1.03	0.88	1.81	2.28	0.70
WRC 013	1/2	65	0.50	1.88	1.00	1.19	1.13	0.88	1.91	2.28	0.80
WRC 014	9/16	95	0.56	2.25	1.25	1.31	1.22	0.94	2.06	2.50	1
WRC 016	5/8	95	0.56	2.38	1.25	1.31	1.34	0.94	2.06	2.50	1.10
WRC 019	3/4	130	0.62	2.75	1.44	1.50	1.41	1.06	2.25	2.84	1.40
WRC 022	7/8	225	0.75	3.12	1.62	1.75	1.59	1.25	2.44	3.16	2.20
WRC 026	1	225	0.75	3.50	1.81	1.88	1.78	1.25	2.63	3.47	2.60
WRC 029	1 1/8	225	0.75	3.88	2.00	2.00	1.91	1.25	2.81	3.59	2.90
WRC 032	1 1/4	360	0.88	4.25	2.13	2.31	2.19	1.44	3.13	4.13	4.20
WRC 035	1 3/8	360	0.88	4.63	2.31	2.38	2.31	1.44	3.13	4.19	4.40
WRC 038	1 1/2	360	0.88	4.94	2.38	2.59	2.44	1.44	3.41	4.44	5.20
WRC 042	1 5/8	430	1.00	5.31	2.62	2.75	2.66	1.63	3.63	4.75	6.80
WRC 044	1 3/4	590	1.13	5.75	2.75	3.06	2.94	1.81	3.81	5.28	9.20
WRC 052	2	750	1.25	6.44	3.00	3.38	3.28	2.00	4.44	5.88	14.80
WRC 057	2 1/4	750	1.25	7.13	3.19	3.88	3.19	2.00	4.50	6.38	16
WRC 064	2 1/2	750	1.25	7.69	3.44	4.13	3.69	2.00	4.05	6.63	18
WRC 070	2 3/4	750	1.25	8.31	3.56	4.38	4.88	2.00	5.00	6.88	23
WRC 076	3	1200	1.50	9.19	3.88	4.75	4.69	2.38	5.88	7.63	31
WRC 089	3 1/2	1200	1.50	10.75	4.50	5.50	6.00	2.38	6.19	8.38	38

All wire rope clips are supplied with a hot dipped galvanized finish. For more information read our 'Warnings and instructions for use'.